



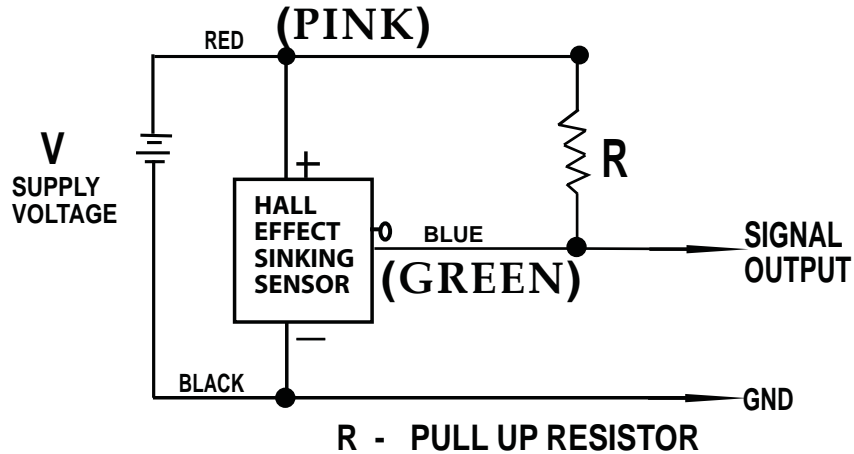
INTERFACING FOR HALL EFFECT SENSORS

The schematics shown are typical of the outputs with which Hall Effect Sensors can be interlaced.

Values shown are representative only.

CURRENT SINKING OUTPUTS

(Current flow through load into sensor). Output terminal is open collector. In the unoperated condition ($I_L = 0$). The output voltage is normally high.



ELECTRICAL SPECIFICATIONS

Part No	Supply Voltage VDC	Supply Current (mAmax)	Output Type	Output Voltage (V Max)	Output Current (Max)	6" Stranded Leadwires
HES6	4.5 TO 24	10.0	Sink	0.4	40mA	24 gauge Irradiated Polyethylene Insulated

Voltage	mA	Resistor
5	10	500 Ohms
12	10	1200 Ohms
24	10	2400 Ohms