



FLUID METERING, INC.
 5 AERIAL WAY, SUITE 500, SYOSSET, NY 11791
 (800) 223-3388 (516) 922-6050 Fax: (516) 624-8261 <http://www.fmipump.com>

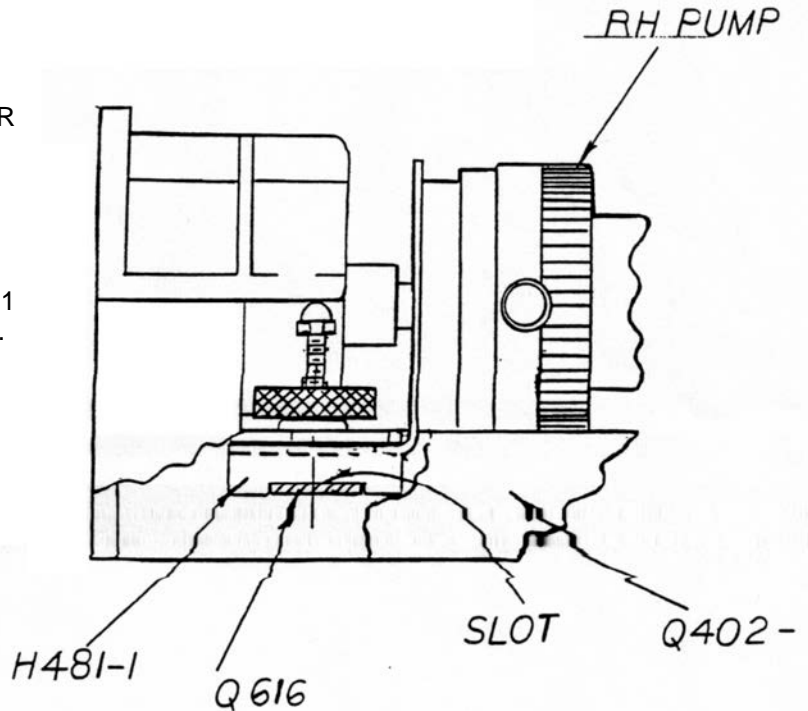
150690S
10001

IMPORTANT NOTE

FOR PROPER PUMP OPERATION RH/Q ADAPTER BRACKET H481-1 MUST BE POSITIONED OVER RETAINER ASSEMBLY Q616 AS SHOWN.

PLEASE SEE LAB PUMP JR. INSTRUCTIONS H431 FOR ADDITIONAL RH ASSEMBLY INFORMATION.

1 N-RH/Q 08/16
 PRINTED IN U.S.A



FLUID METERING, INC.
 5 AERIAL WAY, SUITE 500, SYOSSET, NY 11791
 (800) 223-3388 (516) 922-6050 Fax: (516) 624-8261 <http://www.fmipump.com>

150690S
10001

IMPORTANT NOTE

FOR PROPER PUMP OPERATION RH/Q ADAPTER BRACKET H481-1 MUST BE POSITIONED OVER RETAINER ASSEMBLY Q616 AS SHOWN.

PLEASE SEE LAB PUMP JR. INSTRUCTIONS H431 FOR ADDITIONAL RH ASSEMBLY INFORMATION.

1 N-RH/Q 08/16
 PRINTED IN U.S.A.

