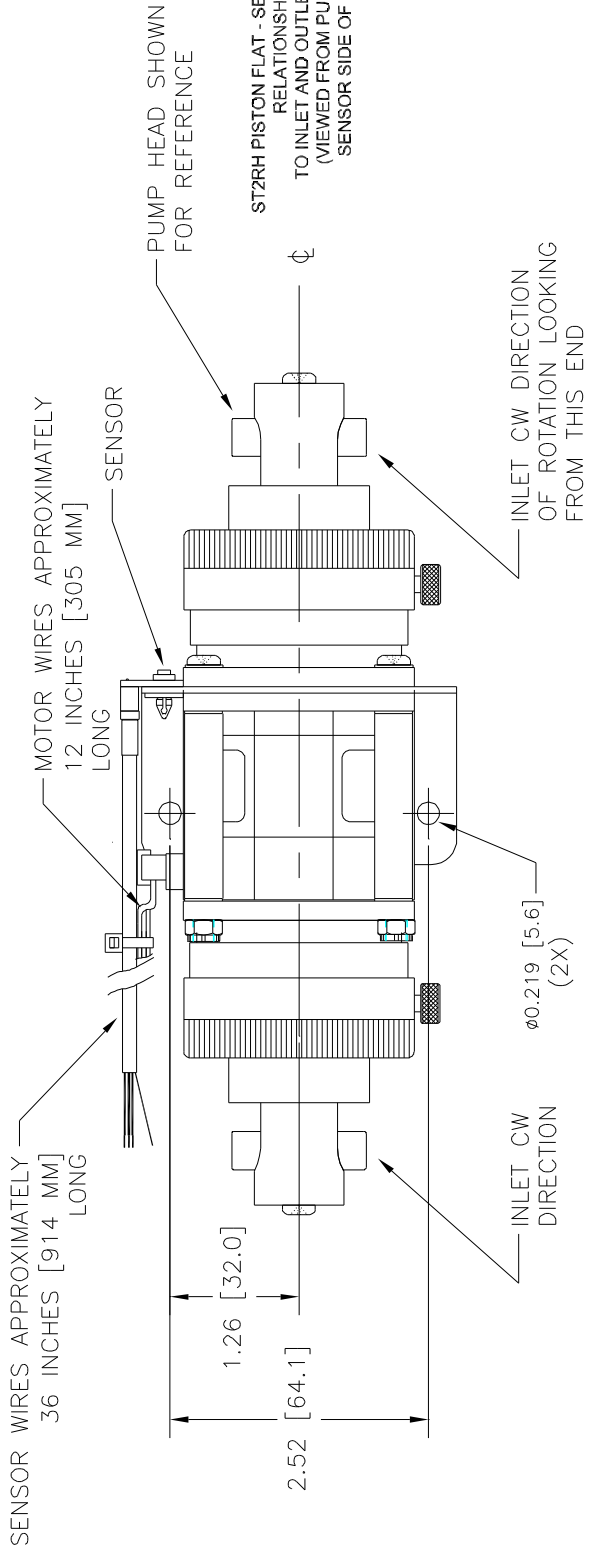
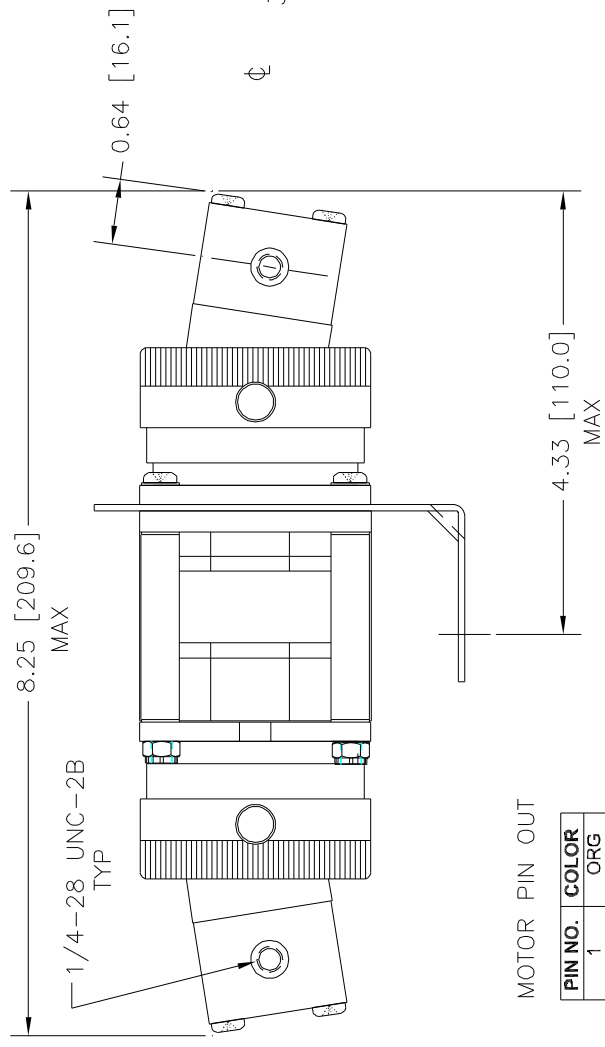
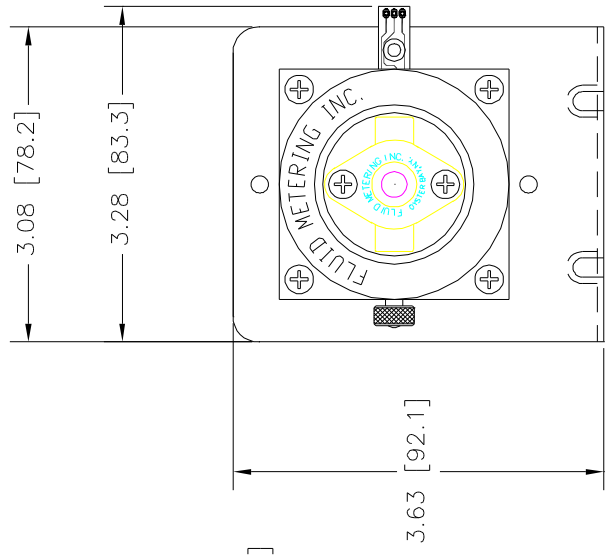
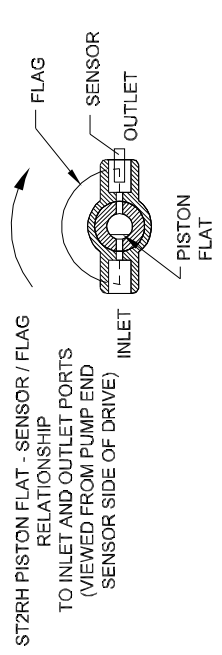


REVISIONS			
SYM	DESCRIPTION	BY	DATE
B	REVISED PER ECO# 1979	SRS	12/29/04

NOTE: FMI TO BE NOTIFIED IN WRITING PRIOR TO ANY CHANGES IN MATERIALS, PROCESSES OR CONSTRUCTION.

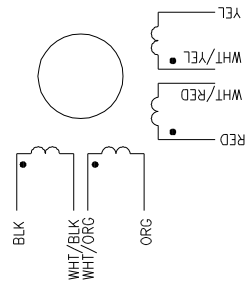


SENSOR WIRES APPROXIMATELY 36 INCHES [914 MM] LONG



SENSOR WIRE OUT

COLOR	FUNCTION
RED	+ 5 Vdc
BLACK	GROUND
WHITE	SIGNAL OUT
BARE	DRAIN



MOTOR PIN OUT

PIN NO.	COLOR
1	ORG
2	WHT/BLK
3	YEL
4	WHT/RED
5	WHT/ORG
6	BLK
7	WHT/YEL
8	RED

NOTE:
PUMP HEAD SHOWN FOR REFERENCE ONLY.
PUMPS ARE IN PHASE.
DIMENSIONS ARE IN INCHES [MILLIMETERS].

NOTICE TO PERSONS RECEIVING THIS DRAWING
FLUID METERING INC. CLAIMS PROPRIETARY RIGHTS IN THE MATERIALS DISCLOSED HEREIN. THIS DRAWING IS FOR YOUR INFORMATION ONLY AND IS NOT TO BE REPRODUCED, COPIED, OR TRANSMITTED IN ANY MANNER WITHOUT THE EXPRESS WRITTEN PERMISSION FROM FLUID METERING, INC. TO THE USER. ALL INFORMATION CONTAINED HEREIN IS UNCLASSIFIED AND REMAINS THE PROPERTY OF FLUID METERING, INC. IT IS SUBJECT TO RECALL AT ANY TIME.

FMI PIN ST2RH

		Fluid Metering Inc. 5 Aerial Way, Suite 500 Syosset, NY 11791	
TOLERANCES UNLESS OTHERWISE SPECIFIED FRACTIONAL SURFACE FINISH SCALE		X = ±0.015 XX = ±0.010 XXX = ±0.005 ANG = ±1° 63	
TITLE ST2RH OUTLINE DIMENSIONS		Chemical Metering Pumps	
FILENAME 600115.DWG		SCALE NONE	
USED ON		DWG NO. 600115	
DATE 07/29/04		REV B	
DRAWN JLB			
CHECKED JLB			
DATE 11/19/03			
APPROVED CFF			
DATE 01/19/05			
ORG. JLB			
DATE 12/29/04			