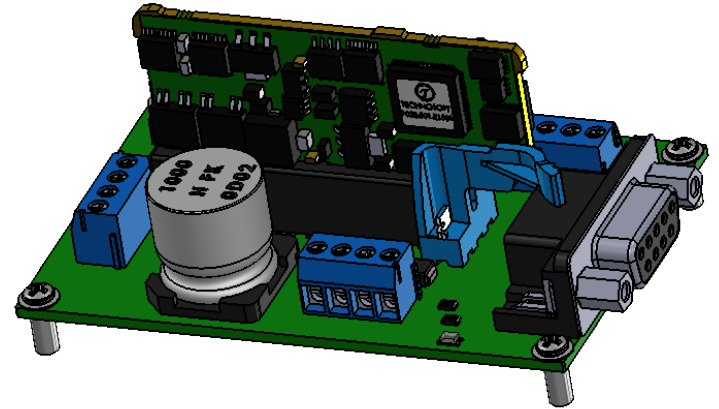
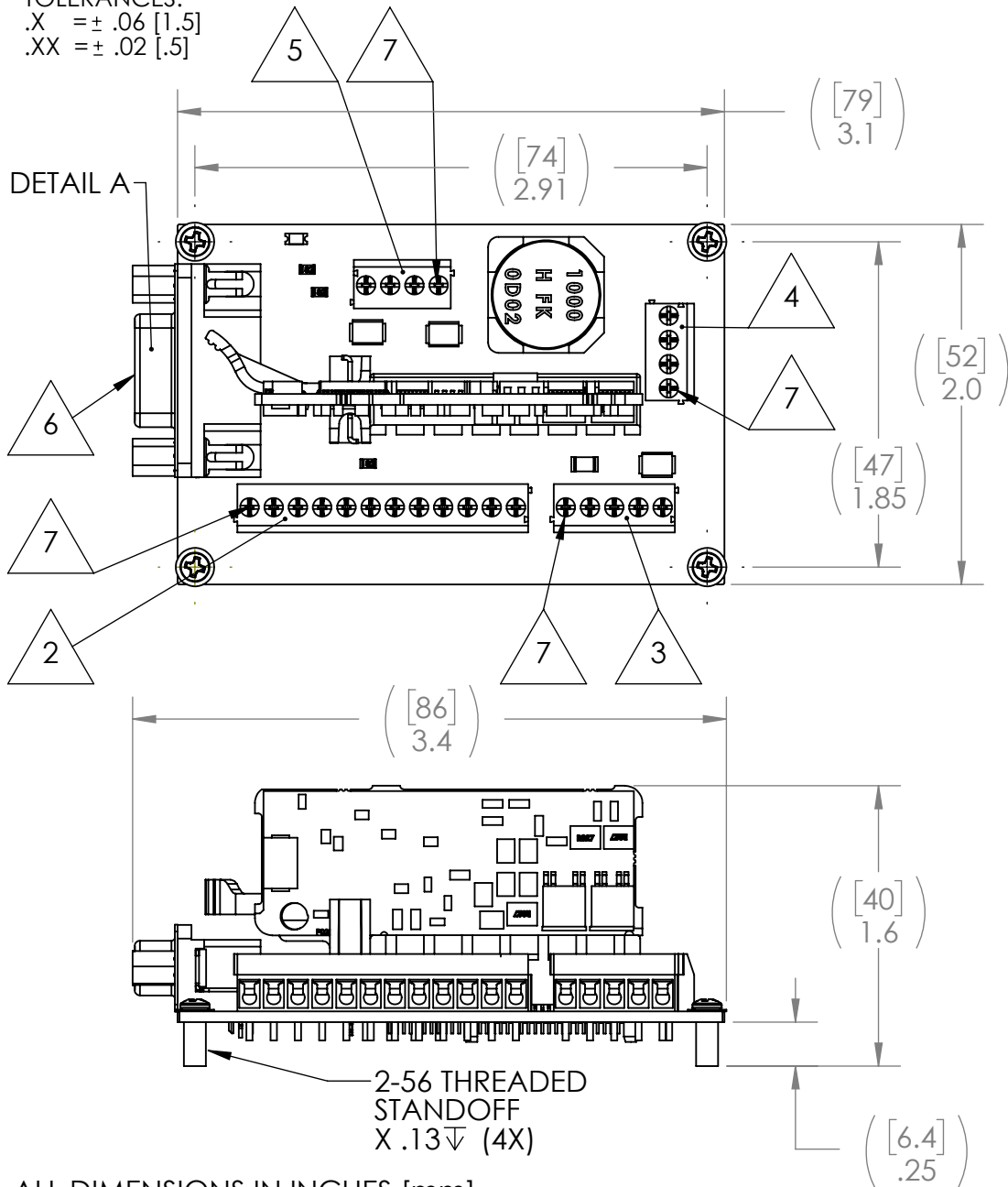


TOLERANCES:  
.X = ± .06 [1.5]  
.XX = ± .02 [.5]



NOTES:

1. SEE SHEET 2 AND 3 FOR CONNECTOR/SIGNAL INFO.
2. J10 TERMINAL STRIP FOR I/O.
3. J9 TERMINAL STRIP FOR ENCODER.
4. J8 TERMINAL STRIP FOR MOTOR.
5. J6 TERMINAL STRIP FOR MOTOR AND LOGIC VOLTAGE.
6. DB9F CONNECTOR FOR SOFTWARE INTERFACE.
7. PIN 1 ON TERMINAL.
8. ALL TERMINAL STRIPS ACCEPT 18-28 AWG WIRE.
9. THIS PRODUCT IS ROHS COMPLIANT

FMI P/N ICST02-2



**Fluid Metering Inc.**  
5 Aerial Way, Suite 500  
Syosset, NY 11791

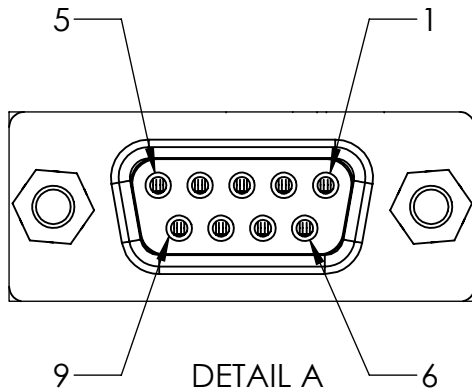
TITLE  
INTELLIGENT STEPPER  
CONTROL, 2 AMP  
(W/O POWER SUPPLY)

DWG NO.  
600299

REV  
B

SHT NO 1 of 3

ALL DIMENSIONS IN INCHES [mm].



J6 TERMINAL WIRING		
PIN	SIGNAL	CONTROL DESCRIPTION
J6.1	VMOT	MOTOR VOLTAGE (9 TO 36 VDC)
J6.2	GND	GROUND
J6.3	GND	GROUND
J6.4	VLOG	LOGIC VOLTAGE (7 TO 36 VDC)

J6 TERMINAL WIRING		
PIN	SIGNAL	CONTROL DESCRIPTION
J3.2	RS232-TX	TRANSMIT
J3.3	RS232-RX	RECIEVE
J3.5	GND	GROUND

J8 TERMINAL WIRING		
PIN	SIGNAL	CONTROL DESCRIPTION
J8.1	MOTOR PHASE A+	MOTOR DRIVE OUTPUT A+
J8.2	MOTOR PHASE A-	MOTOR DRIVE OUTPUT A-
J8.3	MOTOR PHASE B+	MOTOR DRIVE OUTPUT B+
J8.4	MOTOR PHASE B-	MOTOR DRIVE OUTPUT B-

J9 TERMINAL WIRING		
PIN	SIGNAL	CONTROL DESCRIPTION
J9.1	+5 VDC	OUTPUT
J9.2	ENCODER A	ENCODER PHASE A (ONLY FUNCTIONAL FOR PUMPS WITH ENCODER)
J9.3	ENCODER B	ENCODER PHASE B (ONLY FUNCTIONAL FOR PUMPS WITH ENCODER)
J9.4	INDX	ENCODER INDEX (ONLY FUNCTIONAL FOR PUMPS WITH ENCODER)
J9.5	GND	GENERAL DIGITAL GROUND

FMI P/N ICST02-2



**Fluid Metering Inc.**  
5 Aerial Way, Suite 500  
Syosset, NY 11791

TITLE  
INTELLIGENT STEPPER  
CONTROL, 2 AMP  
(W/O POWER SUPPLY)

DWG NO.  
600299

REV  
B

SHT NO 2 of 3


J10 TERMINAL WIRING		
PIN	SIGNAL	CONTROL DESCRIPTION
J10.1	IN0	DRY CONTACT START INPUT (METERING: CONNECT TO GROUND AND OPEN TO STOP -- DISPENSE: MOMENTARILY CONNECT TO GROUND TO START)
J10.2	IN1	DIRECTION (CW - LEAVE DISCONNECTED CCW - CONNECT TO GROUND)
J10.3	IN2	METERING/DISPENSE (METERING - LEAVE DISCONNECTED DISPENSE - CONNECT TO GROUND)
J10.4	IN3/SEN	SENSOR OUTPUT (BLUE WIRE)
J10.5	Vdisp	0 - 5 VDC INPUT TO SET NUMBER OF DISPENSE CYCLES (1 TO 20 REVOLUTIONS)
J10.6	ANODE	SENSOR ANODE (RED WIRE)
J10.7	GND	SENSOR CATHODE (BLACK WIRE)
J10.8	+5 VDC	OUTPUT (250 mA MAX)
J10.9	Vref	0 - 5 VDC INPUT TO SET SPEED IN RPM (10.25 TO 2005 RPM)
J10.10	OUT0	MOTION COMPLETE ("0" = MOTION COMPLETE "1" = MOTION NOT COMPLETE)
J10.11	OUT1	ERROR GENERAL DRIVE ERROR - ("0" = ERROR "1" = NO ERROR)
J10.12	GND	GENERAL DIGITAL GROUND



NOTES:

- 1. WHEN FACING PUMP HEAD SIDE

FMI P/N ICST02-2

	<b>Fluid Metering Inc.</b> 5 Aerial Way, Suite 500 Syosset, NY 11791	
	TITLE INTELLIGENT STEPPER CONTROL, 2 AMP (W/O POWER SUPPLY)	
DWG NO. 600299	REV B	SHT NO 3 of 3