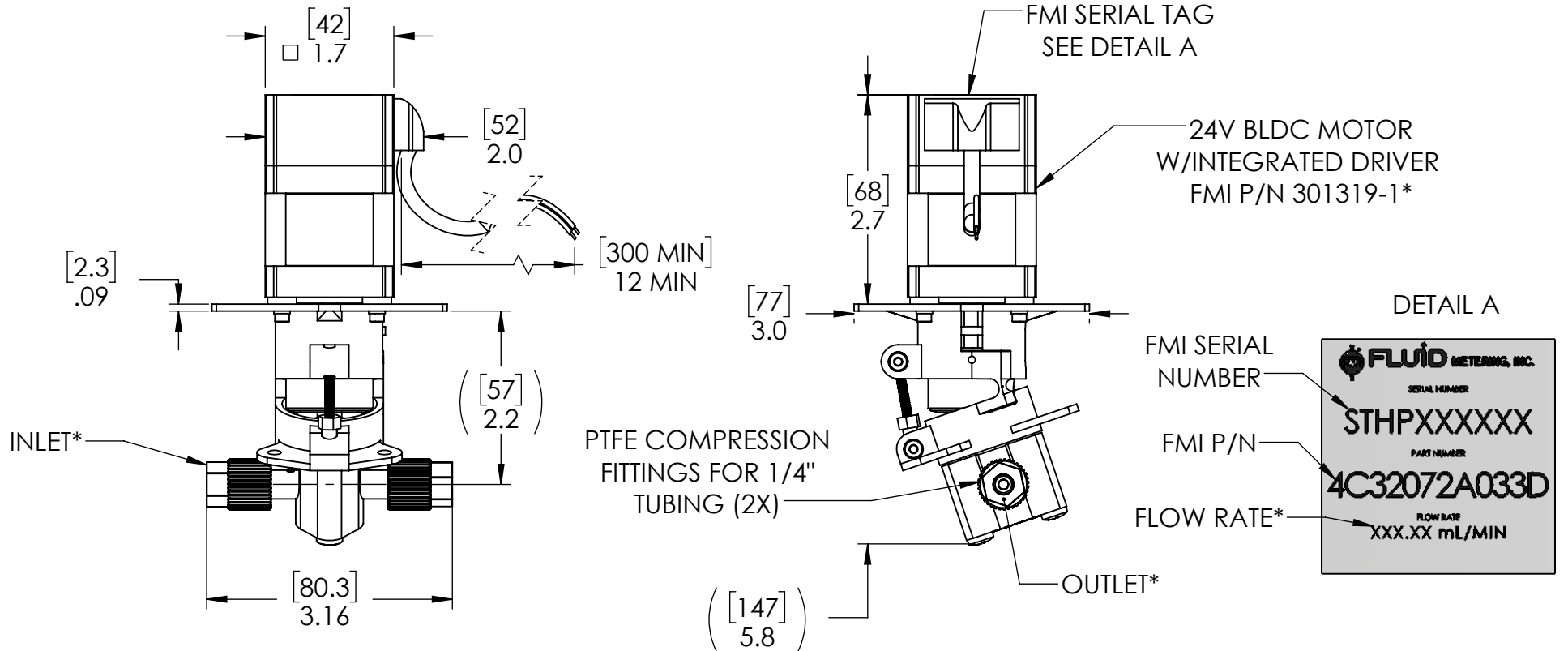


FMI WASTE/TRANSFER PUMP SPECIFICATIONS




NOTE: ALL DIMENSIONS IN INCHES [mm].

*NOTE: SEE SHEET 2 FOR MORE DETAILS.

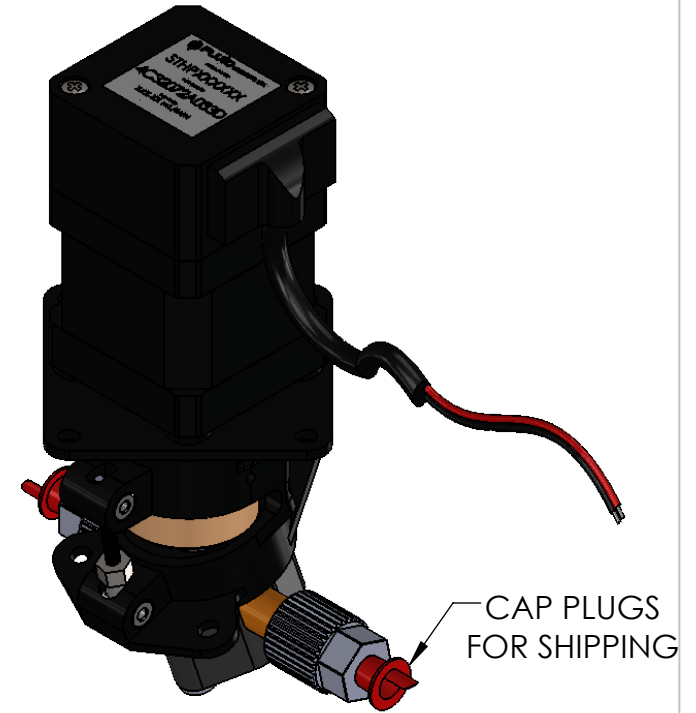
FMI P/N 4C32072A033D

TOLERANCES:
 .X = ±.06 [1.5]
 .XX = ±.02 [.5]

 Fluid Metering Inc. 5 Aerial Way, Suite 500 Syosset, NY 11791		
TITLE STH WASTE PUMP, STH1CTCBLDC		
DWG NO.	REV	SHT NO 1 of 2
600339	B	

FMI WASTE/TRANSFER PUMP SPECIFICATIONS

CALIBRATED FLOW RATE: PUMP CAN BE CALIBRATED 20 - 400 mL/MIN \pm 5%.
 PUMP PRESSURE RATING: 4 BAR (APPROX 58 PSI) MAX ON OUTLET
 ALLOWABLE PRESSURE SPIKE: PRESSURE SPIKES UP TO 7 BAR (APPROX 102 PSI)
 FOR A MAXIMUM OF 10 SECONDS.
 MOTOR SPEED: MOTOR SPEED SET TO APPROXIMATELY 2000 RPM.
 MOTOR DIRECTION: MOTOR DIRECTION SET TO CLOCKWISE ROTATION
 FROM ORIENTATION NOTED ON SHEET 1.



MOTOR WIRING TABLE	
WIRE COLOR	CHARGE TYPE
RED	POSITIVE
BLACK	NEGATIVE

WETTED PATH MATERIALS:

1. ETFE
2. PTFE IMPREGNATED CERAMIC (ALUMINA)
3. UHMWPE
4. FFKM
5. PTFE
6. DOW CORNING 111 LUBRICANT

FMI P/N 4C32072A033D

MOTOR/DRIVER SPECIFICATIONS:

VOLTAGE: 24V DC
 VOLTAGE RANGE: 22-26V DC
 OVER VOLTAGE PROTECTION: 27V DC
 UNDER VOLTAGE PROTECTION: 21V DC
 STALL CURRENT: 2.25 AMPS
 OVER CURRENT PROTECTION: 3 AMPS
 NO-LOAD CURRENT: 0.2 AMPS
 RATED CURRENT: 0.75/0.88 AMPS (MOTOR/DRIVER)
 CONTROL MODE: SQUARE WAVE CONTROL
 SPEED CONTROL MODE: CLOSED LOOP CONTROL
 OPERATING TEMPERATURE: -20° TO 60° C
 INSULATION CLASS: B



Fluid Metering Inc.
 5 Aerial Way, Suite 500
 Syosset, NY 11791

TITLE

**STH WASTE PUMP,
 STH1CTCBLDC**

DWG NO.

600339

REV

B

SHT NO 2 of 2