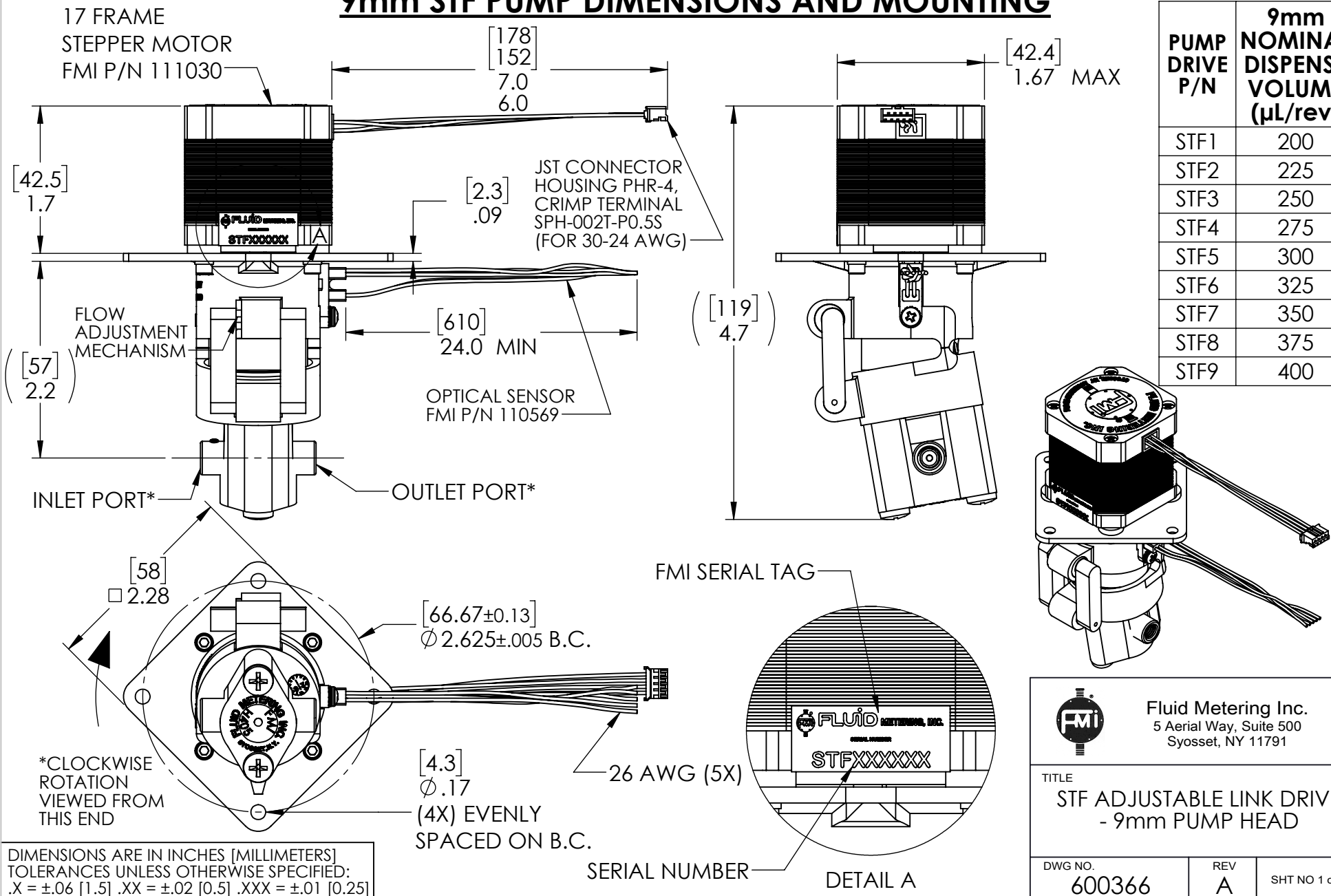


9mm STF PUMP DIMENSIONS AND MOUNTING



9mm PUMP PERFORMANCE AND SPECIFICATIONS

STROKE VOLUME: UP TO .400 mL/rev

MAX FLOW RATE: 400 mL/min @ 1000 RPM

DISPENSE VOLUME REPEATABILITY: $\leq 0.5\%CV$

METERING ACCURACY: $\pm 2\%$

PUMP CALIBRATED AND TESTED IN CLOCKWISE DIRECTION WITH HIGH PURITY WATER.

PUMP CAN WORK IN REVERSE FLOW CONDITION. PRECISION AND ACCURACY MAY NOT BE THE SAME AS IN THE CLOCKWISE DIRECTION.

MAX OPERATING PRESSURE: 15 psig

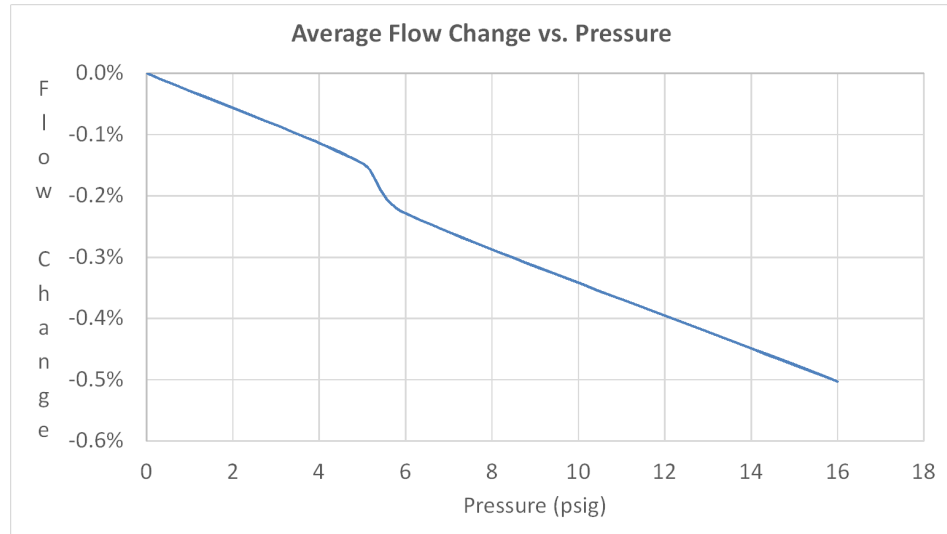
*PUMP OUTPUT DECREASES AS PRESSURE INCREASES

MAX OPERATING AMBIENT TEMPERATURE: 40°C

MAX FLUID TEMPERATURE: 100°C

LIFE EXPECTANCY AND PUMP MAINTENANCE:

DEPENDENT ON APPLICATION. CONSULT FACTORY.



FMI P/N	FLUID PATH MATERIALS	SEAL MATERIALS	PORTS	APPLICATION
H9CKC	CERAMIC (ALUMINA) PVDF	UHMWPE FKM	1/4" ID	METERING
H9CKCLF	CERAMIC (ALUMINA) PVDF	UHMWPE FKM	1/4-28 INT THD	DISPENSING
H9CTC	CERAMIC (ALUMINA) ETFE PTFE	UHMWPE FFKM	1/4" ID	METERING
H9CTCLF	CERAMIC (ALUMINA) ETFE	UHMWPE FFKM	1/4-28 INT THD	DISPENSING

RECOMMENDED TUBING SIZE

DISPENSING: 1/8" ID

METERING: 1/4" TO 3/8" ID

DIMENSIONS ARE IN INCHES [MILLIMETERS]
TOLERANCES UNLESS OTHERWISE SPECIFIED:
.X = ± 0.06 [1.5] .XX = ± 0.02 [0.5] .XXX = ± 0.01 [0.25]

CERTIFICATIONS:

RoHS

WEIGHT: 0.85 LB



Fluid Metering Inc.
5 Aerial Way, Suite 500
Syosset, NY 11791

TITLE
**STF ADJUSTABLE LINK DRIVE
- 9mm PUMP HEAD**

DWG NO.
600366

REV
A

SHT NO 2 of 4

ELECTRICAL SPECIFICATIONS

MOTOR SPECIFICATIONS	
DUTY	CONTINUOUS
MOTOR FRAME SIZE	NEMA SIZE 17
STEP ANGLE	1.8° FULL STEP
NUMBER OF PHASES	2 PHASES
RATED CURRENT	2.0 AMPS/PHASE
INDUCTANCE	2.26mH ± 20% PER PHASE
RESISTANCE	1.10 OHMS ± 10%
AMBIENT OPERATING TEMP	-20°C TO 50°C
RELATIVE HUMIDITY RANGE	15 TO 85% RH, NON CONDENSING
ATMOSPHERIC RANGE	700 TO 1060 hPA
MAGNET WIRE CLASS	F
DI-ELECTRIC STRENGTH	500V
PLASTIC INSULATORS	CLASS "B"
MOTOR NOISE AT 50cm	< 50 dBa

SWITCHING SEQUENCE					
C.C.W.	COLOR	RED	BLU	GRN	BLK
↓	STEP	A	\bar{A}	B	\bar{B}
	1	+	-	+	-
	2	+	-	-	+
	3	-	+	-	+
	4	-	+	+	-
	1	+	-	+	-

MOTOR ROTATION VIEWED FROM FRONT SHAFT END

SENSOR WIRING	
WIRE COLOR	FUNCTION
RED	ANODE
BLACK	CATHODE
WHITE	Vcc
BLUE	OUTPUT
GREEN	GROUND

MOTOR WIRING (CW ROTATION)		
PIN	COLOR	PHASE
1	RED	A
2	BLUE	\bar{A}
3	GREEN	B
4	BLACK	\bar{B}

DIMENSIONS ARE IN INCHES [MILLIMETERS]
 TOLERANCES UNLESS OTHERWISE SPECIFIED:
 .X = ±.06 [1.5] .XX = ±.02 [0.5] .XXX = ±.01 [0.25]



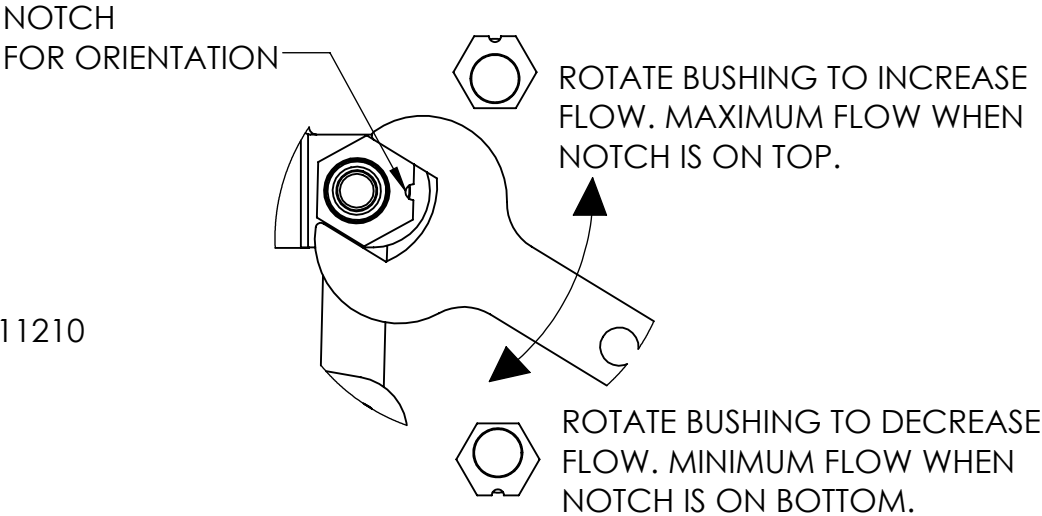
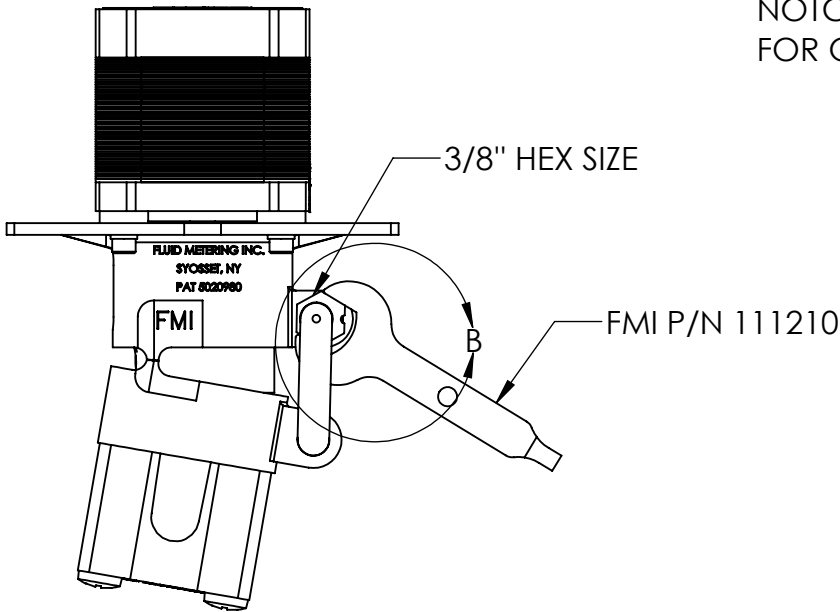
Fluid Metering Inc.
 5 Aerial Way, Suite 500
 Syosset, NY 11791

TITLE
**STF ADJUSTABLE LINK DRIVE
 - 9mm PUMP HEAD**

DWG NO. 600366	REV A	SHT NO 3 of 4
--------------------------	-----------------	---------------

FLOW RATE ADJUSTMENT INSTRUCTIONS

FLOW RATE ADJUSTMENT:
 $\pm .025$ mL/rev FROM NOMINAL DISPENSE VOLUME



DETAIL B
 (SHOWN WITHOUT LINK IN FRONT OF BUSHING)

NOTE: MANUFACTURING TOLERANCES OF THE VARIOUS PUMP COMPONENTS MEANS THAT BUSHING NOTCH WILL NOT ALWAYS BE IN EXACTLY THE SAME POSITION WHEN FACTORY CALIBRATED.

DIMENSIONS ARE IN INCHES [MILLIMETERS]
 TOLERANCES UNLESS OTHERWISE SPECIFIED:
 .X = ± 0.06 [1.5] .XX = ± 0.02 [0.5] .XXX = ± 0.01 [0.25]

	Fluid Metering Inc. 5 Aerial Way, Suite 500 Syosset, NY 11791		
TITLE STF ADJUSTABLE LINK DRIVE - 9mm PUMP HEAD			
DWG NO. 600366	REV A	SHT NO 4 of 4	